

TECHNICAL DATA SHEET

WATER SWEEPER WITH BLADE

IPWS-1600



DESCRIPTION

Featuring a replaceable rubber blade for extended service life, this unit adjusts to three positions and includes a fork lock on the fork channels.

FEATURES

- ☒ Solid, compact construction with a clean, modern design - simple to operate
- ☒ Blade tilts 25° left and right for versatile clearing angles
- ☒ Polyurethane wear plate for superior abrasion resistance
- ☒ Mounting method: slip-on
- ☒ Surface finish: galvanised or painted



09 263 7725 (Auckland)
03 222 2836 (Christchurch)



sales@stratalign.co.nz
www.stratalign.co.nz



6 Harbour Ridge Drive,
Wiri, Auckland, 2104

TECHNICAL DATA SHEET

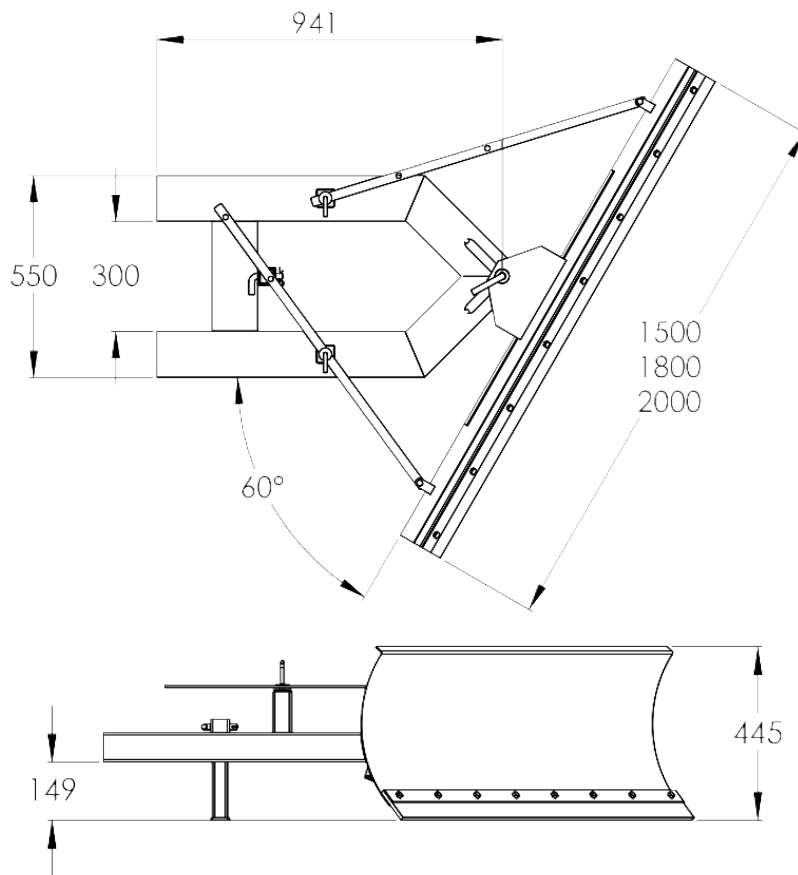
WATER SWEEPER WITH BLADE

IPWS-1600

SPECIFICATIONS

PRODUCT CODE	FORK POCKET SIZE (MM)	FORK POCKET CENTER (MM)	BLADE DIMENSION (MM)	UNIT WEIGHT (KG)
IPWS-1600	100 (w) x 50 (h)	620	2000 (w) x 450 (h)	72

DIMENSIONS



CERTIFICATION

Manufactured strictly in accordance with the following standards:

STANDARD	DESCRIPTION
AS 3990-1993	Structural Steel for mechanical engineering
AS 2359.1-1995	Powered Industrial Trucks
AS 1554	Structural Steel Welding