

TECHNICAL DATA SHEET

HYDRAULIC FORKLIFT CARTON CLAMP

FHCC-1.4TD-S1950-02



DESCRIPTION

Carton clamps are designed for handling household appliances and other lightweight, large carton packaged goods such as refrigerators, TVs, and washing machines.

They use a hook-type mounting system compliant with ISO2328 standards.

The arms are rubber-coated to increase friction, ensuring a secure grip and preventing cartons from slipping. Carton clamps are widely used in logistics centers and warehouses.



09 263 7725 (Auckland)
03 222 2836 (Christchurch)



sales@stratalign.co.nz
www.stratalign.co.nz

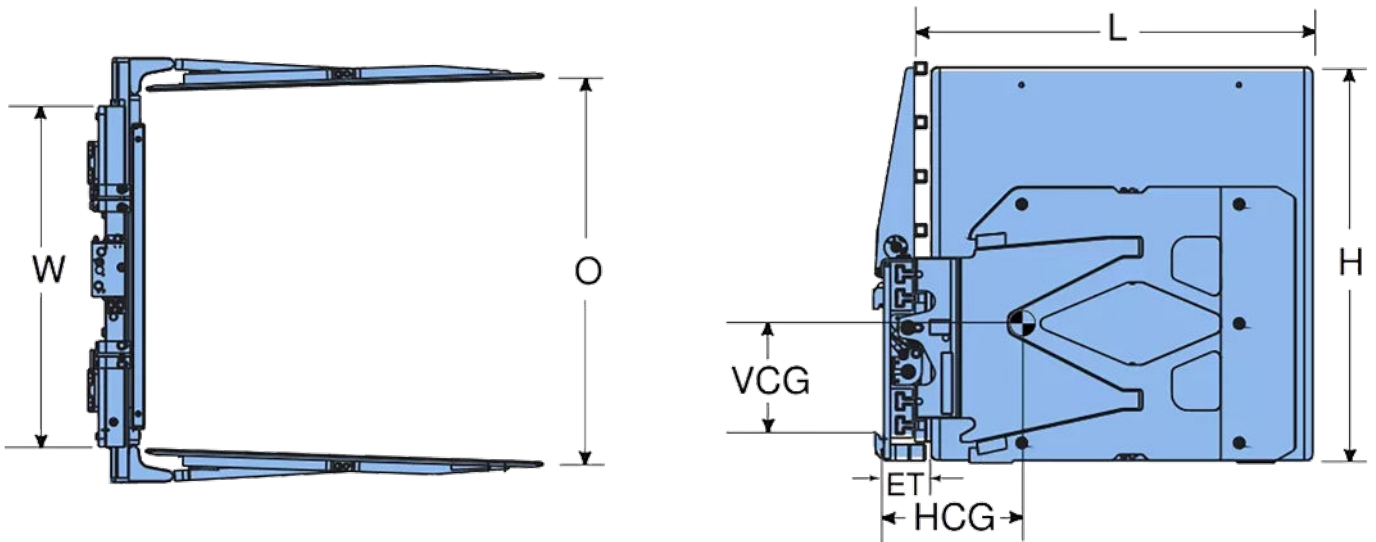


6 Harbour Ridge Drive,
Wiri, Auckland, 2104

TECHNICAL DATA SHEET

HYDRAULIC FORKLIFT CARTON CLAMP

FHCC-1.4TD-S1950-02



SPECIFICATIONS

CODE	CAPACITY (KG@MM)	MOUNTING CLASS	OPENING RANGE (MM)	ARM HEIGHT (M)	ET (MM)	EFFECTIVE THICKNESS ET (MM)	WEIGHT (KG)
FHCC-1.4TD-S1950-02	1400/500	II	550-1950	1200	1420	790	125

CERTIFICATION

Manufactured strictly in accordance with the following standards:

STANDARD	DESCRIPTION
AS 3990-1993	Structural Steel for Mechanical Engineering
AS 2359.1-1995	Powered Industrial Trucks
AS 1554	Structural Steel Welding