

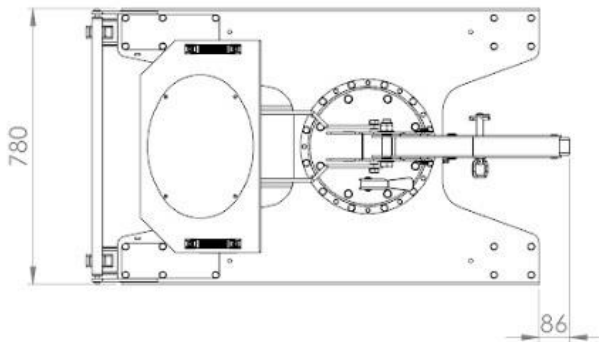
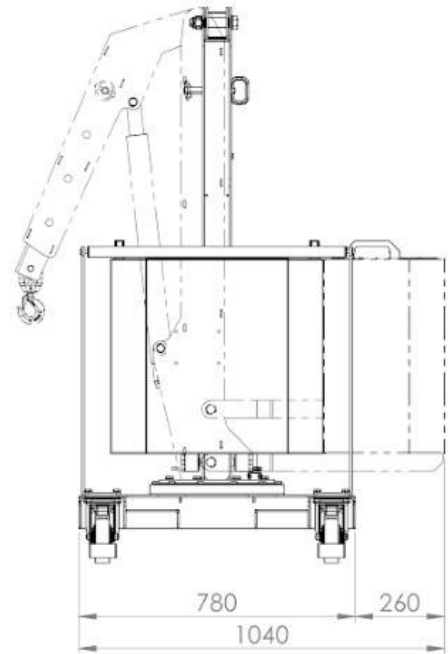
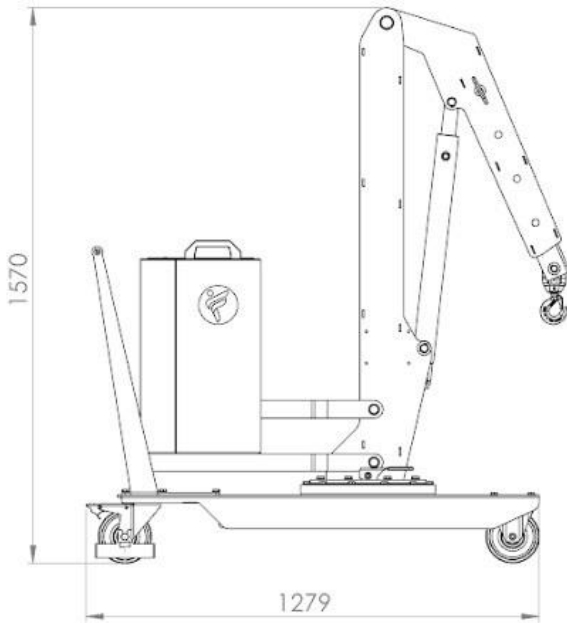
## CRANE 01M2

**LIFTING CAPACITY 200 KG**  
**COUNTERBALANCED SWIVEL CRANE HYDRAULIC LEVER CONTROLLED FAST LIFT**  
**DOUBLE ACTION PUMP – FINE CONTROL DESCENT KNOB**

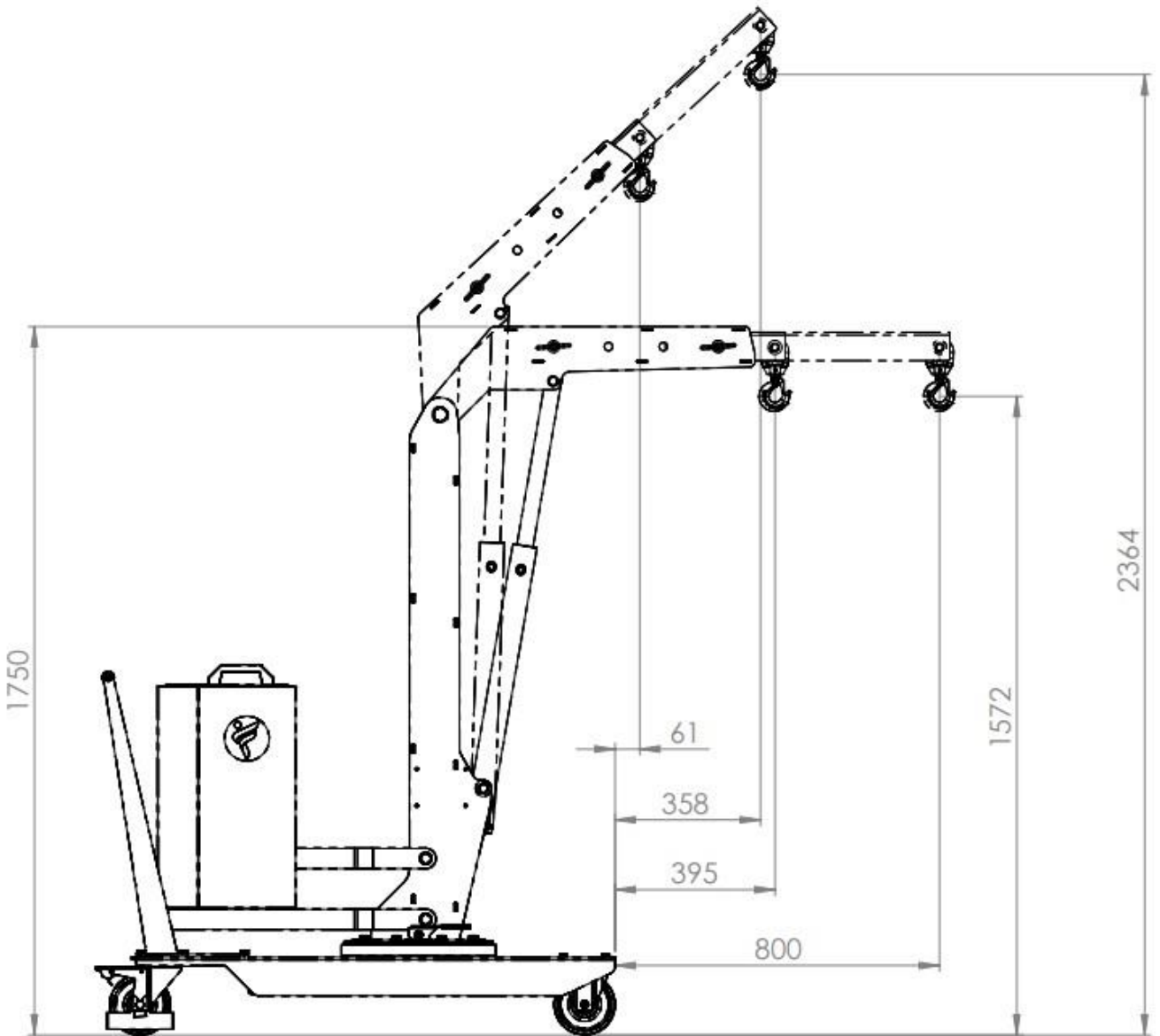


Model		01M2
Drive		Manual
Rotation		360° manual – slewing bearing system
Arm lifting		Manual – double action lifting pump
Arm lowering		Manual – descent knob
Arm extension		Manual – lockable in 4 positions
Width with arm not rotated	mm	780
Width with arm rotated at 90°	mm	1040
Max capacity with standard arm	Kg	200 * see load chart below
Max capacity with extension PZG1_MBP	Kg	115 * see load chart below
Max capacity with extension PZG2_MBP	Kg	91 * see load chart below
Max capacity with extension PZG3_MBP	Kg	67 * see load chart below
Weight of the crane (counterweight incl.)	Kg	400
Battery type		-
Batteries nos.	pcs	-
Battery voltage / nominal capacity	V / Ah	-
Lifting motor	W	-
Traction motor	W	-

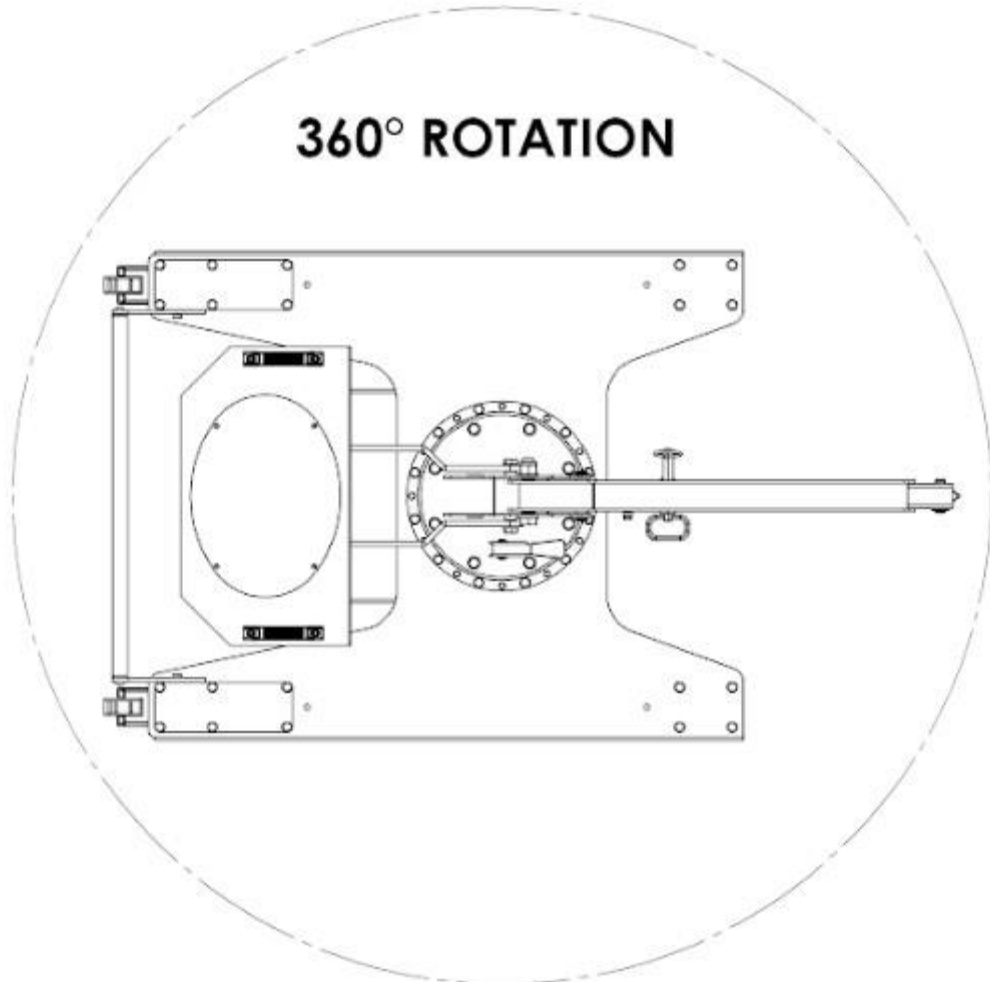
## CRANE 01M2 MAIN DIMENSIONS



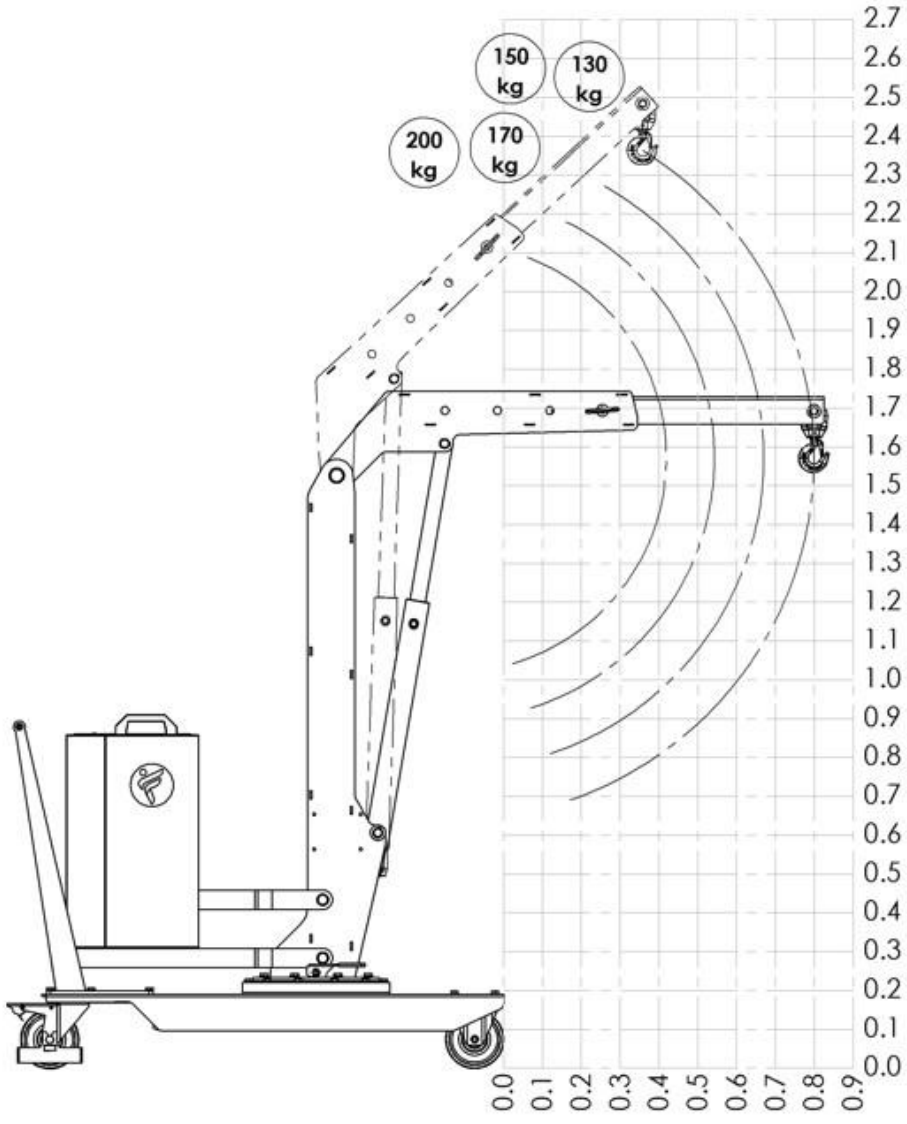
## CRANE 01M2 DETAILED DIMENSIONS WITH STANDARD ARM



## CRANE 01M2 MAIN DIMENSIONS



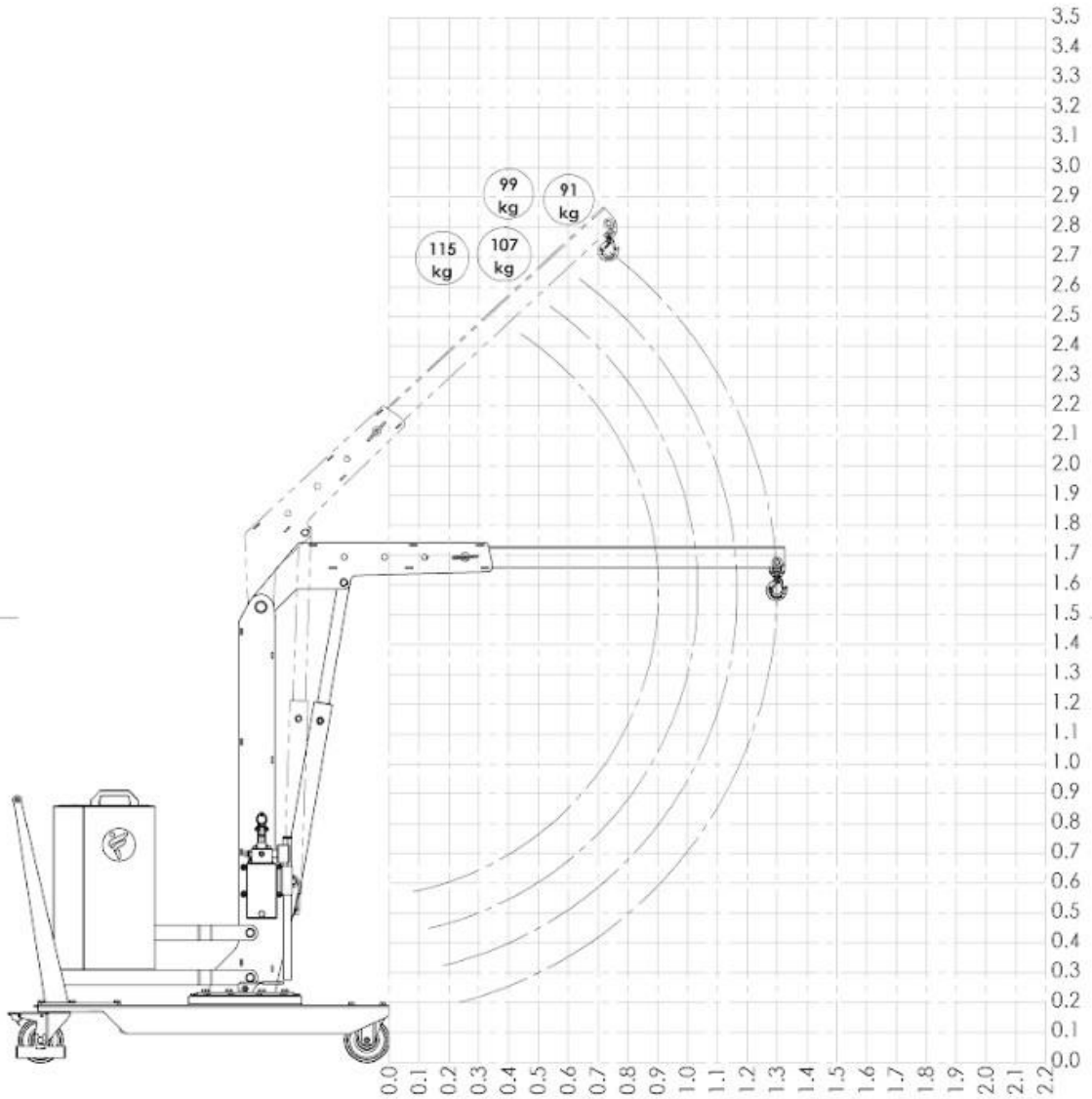
## CRANE 01M2 LOAD CHART WITH STANDARD ARM



POS.	OVERHANG MM	CAPACITY KG
1	365	200
2	500	170
3	635	150
4	770	130

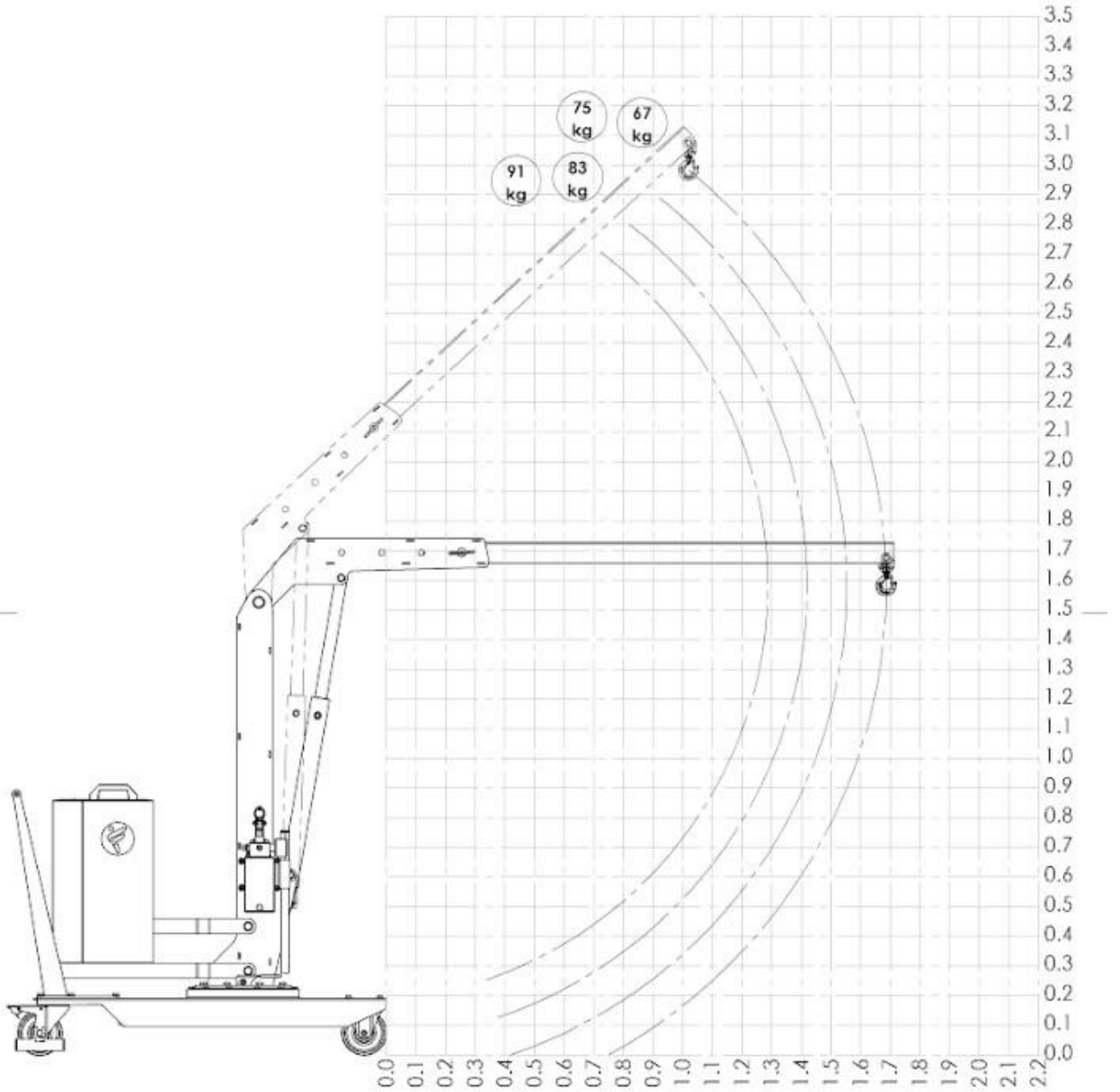
## CRANE 01M2

### LOAD CHART WITH OPTIONAL EXTENSION PZG1-MBP



POS.	OVERHANG MM	CAPACITY KG
1	865	115
2	1000	107
3	1135	99
4	1270	91

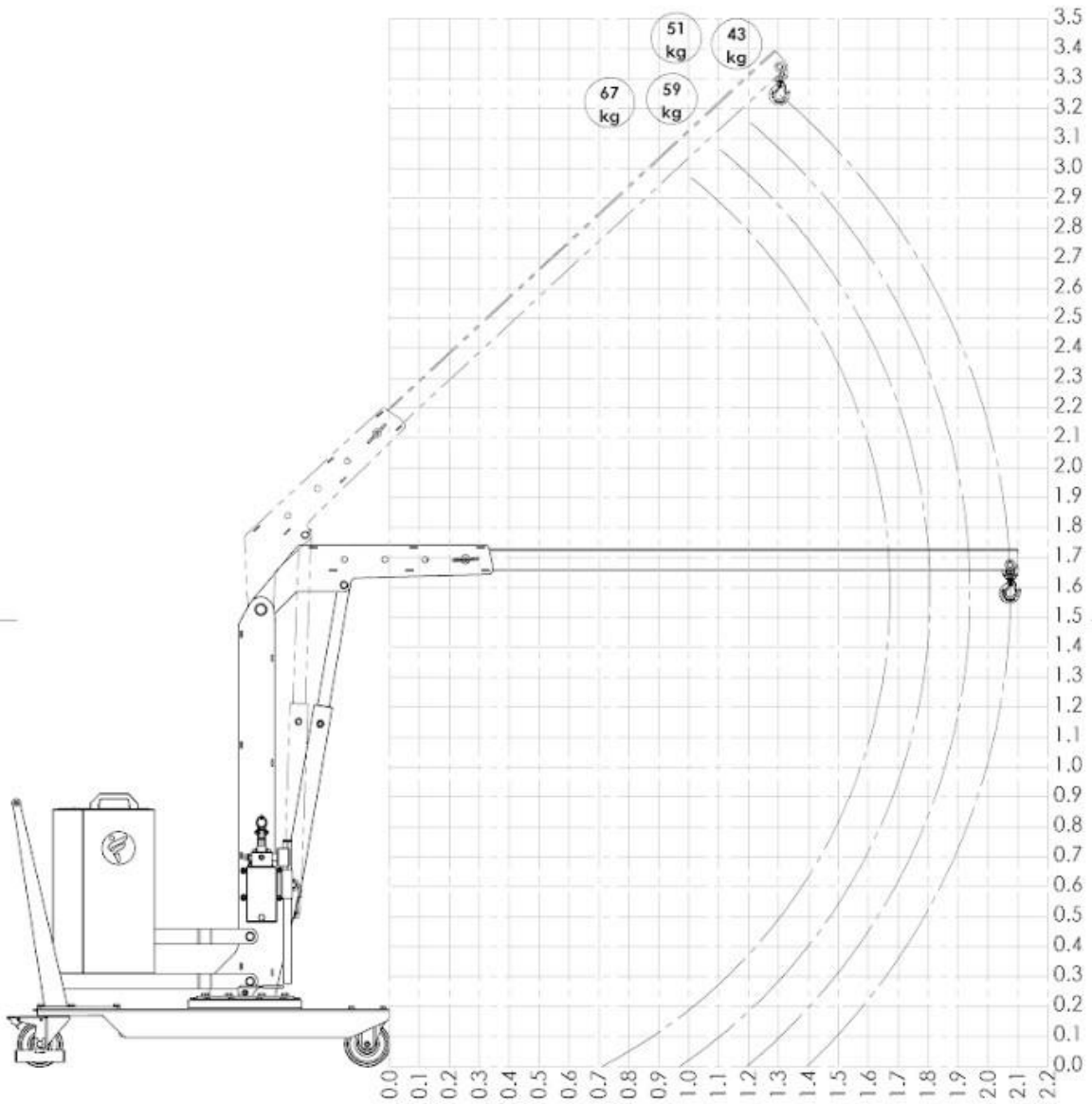
## CRANE 01M2 LOAD CHART WITH OPTIONAL EXTENSION PZG2-MBP



POS.	OVERHANG MM	CAPACITY KG
1	1250	91
2	1385	83
3	1520	75
4	1655	67

# CRANE 01M2

## LOAD CHART WITH OPTIONAL EXTENSION PZG3-MBP



POS.	OVERHANG MM	CAPACITY KG
1	1645	67
2	1780	59
3	1915	51
4	2050	43