



JIB CRANES

Jib cranes provide localised lifting solutions, with a pivoting arm that enables precise movement of loads within a defined area, making them ideal for assembly lines and workshops.

LIST OF CONTENTS

JIB CRANES	16
.....	
Column Mounted	16
Wall Mounted	20
Mobile	27

JIB CRANES

COLUMN MOUNTED | OVERBRACED | ENCLOSED PROFILE



Column jib cranes have a load capacity of up to 1500 kg with a slewing motion of up to 270 degrees allowing for easy manoeuvrability and positioning of loads. Column jib cranes come in various designs, including single-arm and double-arm models. They can be equipped with an internal conductor rail and slewing limiters securing the working area. High-quality bearings ensure ergonomics and a lightness of use.

FEATURES:

- ▶ The height of the column is determined by the required lifting height.
- ▶ High-quality bearings ensure easy and stable use.
- ▶ The base plate of the jib crane can be fixed to the concrete floor with anchor bolts or chemical anchors.
- ▶ Can be used with electric or manual chain hoists and various lifting devices.



LOAD (KG)	JIB LENGTH (M)												
	2	2.5	3	3.5	4	4.5	5	5.5	6	6.5	7	7.5	8
150	●	●	●	●	●	●	●	●	●	●	●	●	●
250	●	●	●	●	●	●	●	●	●	●	●	●	●
500	●	●	●	●	●	●	●	●	●	●	●	●	●
1000	●	●	●	●	●	●	●	●	●	●	●	●	●
1600	●	●	●	●	●	●	●	●	●	●	●	●	●
2000	●	●	●	●	●	●	●	●	●	●	●	●	●

JIB CRANES

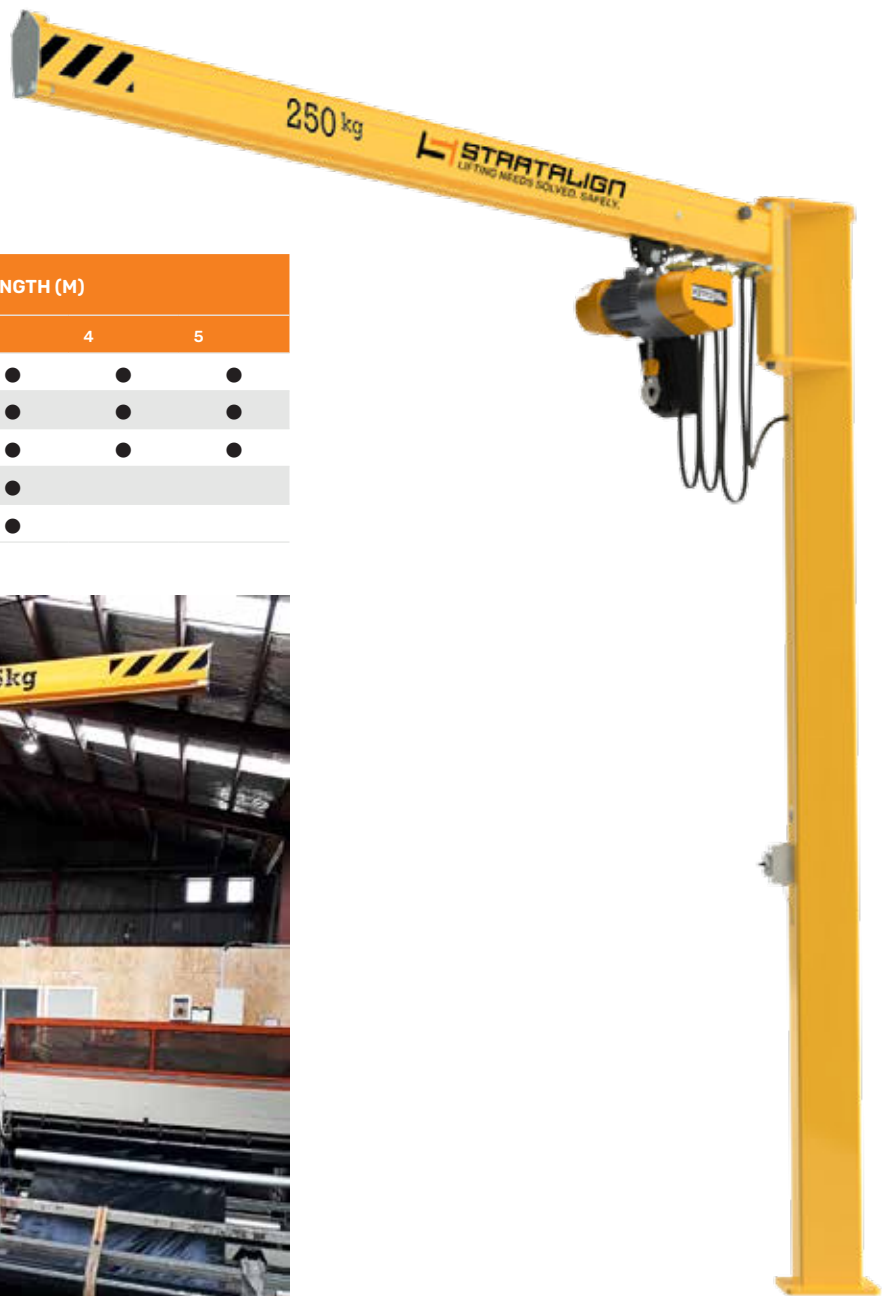
COLUMN MOUNTED | UNDERBRACED | ENCLOSED PROFILE



A low headroom jib crane is an optimal solution in production lines with height restrictions or limited space. The column jib crane is easy to install, with a lifting capacity of up to 250 kg. It has a maximum column height of 3,5 m and an arm length of 5 meters.

FEATURES:

- ▶ Optimum solution when available height is limited.
- ▶ Improves workstation ergonomics and productivity.
- ▶ Can be used with electric or manual chain hoists and various lifting devices.
- ▶ Easy and fast to install.



LOAD (KG)	JIB LENGTH (M)				
	1	2	3	4	5
50	●	●	●	●	●
80	●	●	●	●	●
125	●	●	●	●	●
180	●	●	●	●	●
250	●	●	●	●	●



JIB CRANES

COLUMN MOUNTED | OVERBRACED | I-BEAM



The Overbraced Column Mounted Jib Crane is appropriate for indoor or outdoor use. The beam of the PFT is built with a I-beam profile.

Its light weight allows for great flexibility and can rotate up to 270°. The structure of this jib crane is suitable for the optional installation of a manual or electric hoist.

The PFT Crane can be secured to the floor using chemical anchors or anchor rods with a foundation.



LOAD (KG)	JIB LENGTH (M)											
	2	2.5	3	3.5	4	4.5	5	5.5	6	6.5	7	
150	●	●	●	●	●	●	●	●	●	●	●	●
250	●	●	●	●	●	●	●	●	●	●	●	●
500	●	●	●	●	●	●	●	●	●	●	●	●
1000	●	●	●	●	●	●	●	●	●	●	●	●
1600	●	●	●	●	●	●	●	●	●	●	●	●
2000	●	●	●	●	●	●	●	●	●	●	●	●

OPTIONAL EXTRAS:

- ▶ Installation template and anchor rods (or base plate for chemical anchors).
- ▶ Hoist power supply cable.
- ▶ Lockable main switch.
- ▶ Rotation slowing device (can be installed without welding or mechanical intervention).
- ▶ Rotation stops to weld onto the assembly either fixed or adjustable.
- ▶ Single or multiple position rotation lock.
- ▶ Electric or manual hoist.
- ▶ Hot dip galvanised for outdoor use

JIB CRANES

COLUMN MOUNTED | UNDERBRACED | I-BEAM



The Underbraced Column Mounted Jib Crane is appropriate for indoor or outdoor use. The PFI being underbraced allows for more headroom. The beam of the PFI is built with a I-beam profile.

Its light weight allows for great flexibility and can rotate up to 270°. The structure of this jib crane is suitable for the optional installation of a manual or electric hoist.

The PFI Crane can be secured to the floor using chemical anchors or anchor rods with a foundation.



LOAD (KG)	JIB LENGTH (M)											
	2	2.5	3	3.5	4	4.5	5	5.5	6	6.5	7	
150	●	●	●	●	●	●	●	●	●	●	●	●
250	●	●	●	●	●	●	●	●	●	●	●	●
500	●	●	●	●	●	●	●	●	●	●	●	●
1000	●	●	●	●	●	●	●	●	●	●	●	●
1600	●	●	●	●	●	●	●	●	●	●	●	●
2000	●	●	●	●	●	●	●	●	●	●	●	●

OPTIONAL EXTRAS:

- ▶ Installation template and anchor rods (or base plate for chemical anchors).
- ▶ Hoist power supply cable.
- ▶ Lockable main switch.
- ▶ Rotation slowing device (can be installed without welding or mechanical intervention).
- ▶ Rotation stops to weld onto the assembly either fixed or adjustable.
- ▶ Single or multiple position rotation lock.
- ▶ Electric or manual hoist.
- ▶ Hot dip galvanised for outdoor use

JIB CRANES

WALL MOUNTED | OVERBRACED | ENCLOSED PROFILE



Wall jib cranes are typically used in work areas with limited floor space and have a load capacity of 1500 kg. They are often used in manufacturing, assembly, and maintenance operations and can be operated manually or with an electric or pneumatic hoist.

FEATURES:

- ▶ The wall jib crane is the perfect solution for a workstation close to a wall or other vertical element.
- ▶ It can be installed under an overhead crane at the desired height.
- ▶ Wide reach and turning angle.
- ▶ Can be used with electric or manual chain hoists and various lifting devices.



LOAD (KG)	JIB LENGTH (M)											
	2.5	3	3.5	4	4.5	5	5.5	6	6.5	7	7.5	8
150	●	●	●	●	●	●	●	●	●	●	●	●
250	●	●	●	●	●	●	●	●	●	●	●	●
500	●	●	●	●	●	●	●	●	●	●	●	●
1000	●	●	●	●	●	●	●	●	●	●		
1600	●	●	●	●	●	●						
2000	●	●	●	●	●							

JIB CRANES

WALL MOUNTED | UNDERBRACED | ENCLOSED PROFILE



A low headroom underbraced jib crane is an optimal solution in production lines with height restrictions or limited space. A wall jib crane can lift a weight of up to 250 kg, depending on the profile. The maximum jib length is 5 meters.

FEATURES:

- ▶ Optimum solution when available height is limited.
- ▶ Improves workstation ergonomics and productivity.
- ▶ Can be used with electric or manual chain hoists and various lifting devices.
- ▶ Easy and fast to install.



LOAD (KG)	JIB LENGTH (M)				
	1	2	3	4	5
50	●	●	●	●	●
80	●	●	●	●	●
125	●	●	●	●	●
180	●	●	●		
250	●	●	●		

JIB CRANES

WALL MOUNTED | OVERBRACED | I-BEAM



The Overbraced Wall Mounted Jib Crane is appropriate for indoor or outdoor use. The beam of the PMT is built with a I-beam profile.

Its light weight allows for great flexibility and can rotate up to 180°. The structure of this jib crane is suitable for the optional installation of a manual or electric hoist.

The PMT Crane comes with standard mounting brackets.



LOAD (KG)	JIB LENGTH (M)										
	2.5	3	3.5	4	4.5	5	5.5	6	6.5	7	7.5
150	●	●	●	●	●	●	●	●	●	●	●
250	●	●	●	●	●	●	●	●	●	●	●
500	●	●	●	●	●	●	●	●	●	●	●
1000	●	●	●	●	●	●	●	●	●	●	●
1600	●	●	●	●	●	●	●	●			
2000	●	●	●	●	●	●	●	●			

OPTIONAL EXTRAS:

- ▶ Mounting Kit (KITFIX) to ensure the safe mounting of the specific crane.
- ▶ Standpipe.
- ▶ Rotation slowing device (can be installed without welding or mechanical intervention).
- ▶ Rotation stops to weld onto the assembly either fixed or adjustable.
- ▶ Single or multiple position rotation lock.
- ▶ Electric or manual hoist.
- ▶ Hot dip galvanised for outdoor use

JIB CRANES

WALL MOUNTED | UNDERBRACED | I-BEAM



The Underbraced Wall Mounted Jib Crane is appropriate for indoor or outdoor use. The PMI being underbraced allows for more headroom. The beam of the PMI is built with a I-beam profile.

Its light weight allows for great flexibility and can rotate up to 180°. The structure of this jib crane is suitable for the optional installation of a manual or electric hoist.

The PMI Crane comes with standard mounting brackets.



LOAD (KG)	JIB LENGTH (M)										
	2	2.5	3	3.5	4	4.5	5	5.5	6	6.5	7
150	●	●	●	●	●	●	●	●	●	●	●
250	●	●	●	●	●	●	●	●	●	●	●
500	●	●	●	●	●	●	●	●	●	●	●
1000	●	●	●	●	●	●	●	●	●	●	●
1600	●	●	●	●	●	●	●	●	●		
2000	●	●	●	●	●	●	●	●	●		
2500	●	●	●	●	●	●	●				
3200	●	●	●	●	●	●	●				
4000	●	●	●	●	●	●	●				

OPTIONAL EXTRAS:

- ▶ Mountin Kit (KITFIX) to ensure the safe mounting of the specific crane.
- ▶ Hoist power supply cable + lockable main switch.
- ▶ Standpipe.
- ▶ Rotation slowing device (can be installed without welding or mechanical intervention).
- ▶ Rotation stops to weld onto the assembly either fixed or adjustable.
- ▶ Single or multiple position rotation lock.
- ▶ Motorisation
- ▶ Electric or manual hoist.
- ▶ Hot dip galvanised for outdoor use

JIB CRANES - COMEGE

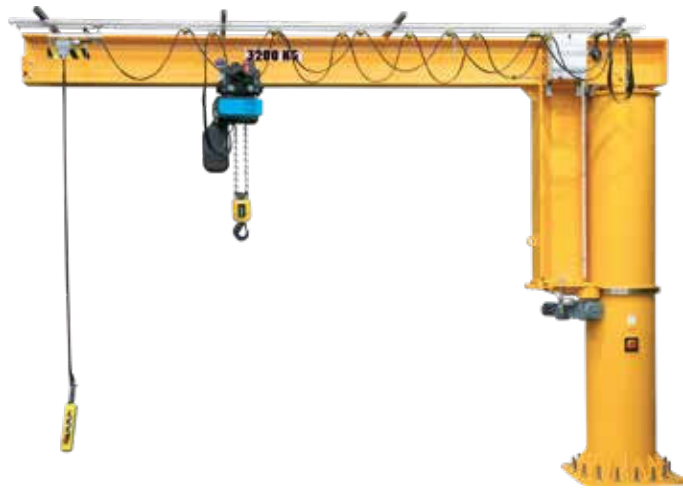
COLUMN MOUNTED - FULL ROTATION



The Column Mounted Jib Crane is appropriate for indoor or outdoor use. The PRT beam is built with a I-beam profile, designed for intensive use.

The PRT crane can rotate a full 360°, which can be used manually or with an optional engine. The structure of this jib crane is suitable for the optional installation of a manual or electric hoist.

The PRT Crane can be secured to the floor using chemical anchors or anchor rods with a foundation.



LOAD (KG)	JIB LENGTH (M)																				
	2	2.5	3	3.5	4	4.5	5	5.5	6	6.5	7	7.5	8	8.5	9	9.5	10	10.5	11	11.5	12
150	•	•	•	•	•	•	•	•	•	•	•	•	•	•	•	•	•	•	•	•	•
250	•	•	•	•	•	•	•	•	•	•	•	•	•	•	•	•	•	•	•	•	•
500	•	•	•	•	•	•	•	•	•	•	•	•	•	•	•	•	•	•	•	•	•
1000	•	•	•	•	•	•	•	•	•	•	•	•	•	•	•	•	•	•	•	•	•
1600	•	•	•	•	•	•	•	•	•	•	•	•	•	•	•	•	•	•	•	•	•
2000	•	•	•	•	•	•	•	•	•	•	•	•	•	•	•	•	•	•	•	•	•
2500	•	•	•	•	•	•	•	•	•	•	•	•	•	•	•	•	•	•	•	•	•
3200	•	•	•	•	•	•	•	•	•	•	•	•	•	•	•	•	•	•	•	•	•
4000	•	•	•	•	•	•	•	•	•	•	•	•	•	•	•	•	•	•	•	•	•
5000	•	•	•	•	•	•	•	•	•	•	•	•	•	•	•	•	•	•	•	•	•
6300	•	•	•	•	•	•	•	•	•	•	•	•	•	•	•	•	•	•	•	•	•
8000	•	•	•	•	•	•	•	•	•	•	•	•	•	•	•	•	•	•	•	•	•
10000	•	•	•	•	•	•	•	•	•	•	•	•	•	•	•	•	•	•	•	•	•

OPTIONAL EXTRAS:

- ▶ Installation template and anchor rods (or base plate for chemical anchors).
- ▶ Motorisation on main roller (indoor use)
- ▶ Top mounted motorisation (outdoor use)
- ▶ Hoist power supply cable and lockable main switch.
- ▶ 4-ring electrical collector for unlimited rotations.
- ▶ Rotation stops to weld onto the assembly either fixed or adjustable.
- ▶ Single or multiple position rotation lock.
- ▶ Electric or manual hoist.
- ▶ Hot dip galvanised for outdoor use.

JIB CRANES

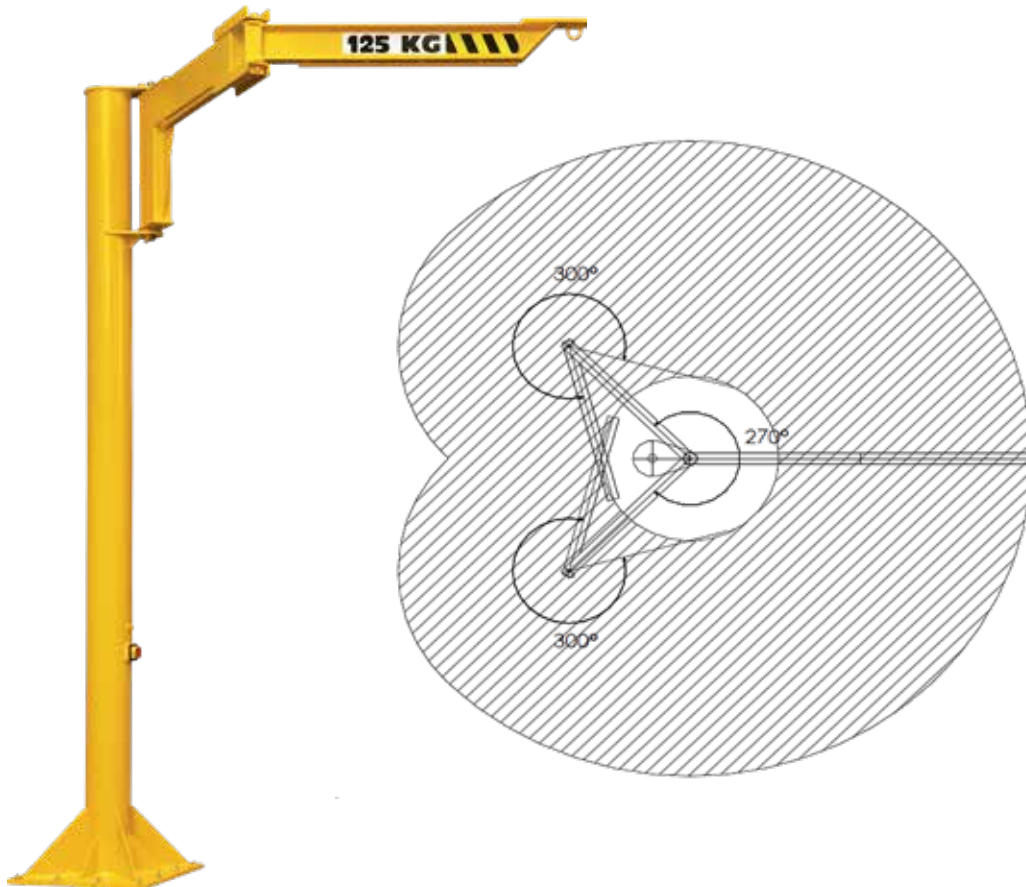
COLUMN MOUNTED | UNDERBRACED | ARTICULATED



The Underbraced Column Mounted Articulated Jib Crane is appropriate for indoor or outdoor use. The PFA being underbraced allows for more headroom.

The first arm can rotate up to 270° and the second arm up to 300°. The structure of this jib crane is suitable for the optional installation of a manual or electric hoist. This model is restricted to manual rotations only.

The PFA Crane can be secured to the floor using chemical anchors or anchor rods with a foundation.



	JIB LENGTH (M)							
LOAD (KG)	2	2.5	3	3.5	4	4.5	5	
125	●	●	●	●	●	●	●	●
250	●	●	●	●	●	●	●	●

OPTIONAL EXTRAS:

- ▶ Installation template and anchor rods (or base plate for chemical anchors).
- ▶ Hoist power supply cable + lockable main switch.
- ▶ Rotation slowing device (can be installed without welding or mechanical intervention).
- ▶ Rotation stops to weld onto the assembly either fixed or adjustable on 1 arm.
- ▶ Option of a slowing device on each arm
- ▶ Single or multiple position rotation lock (arm 1 only).
- ▶ Electric or manual hoist.
- ▶ Hot dip galvanised for outdoor use

JIB CRANES

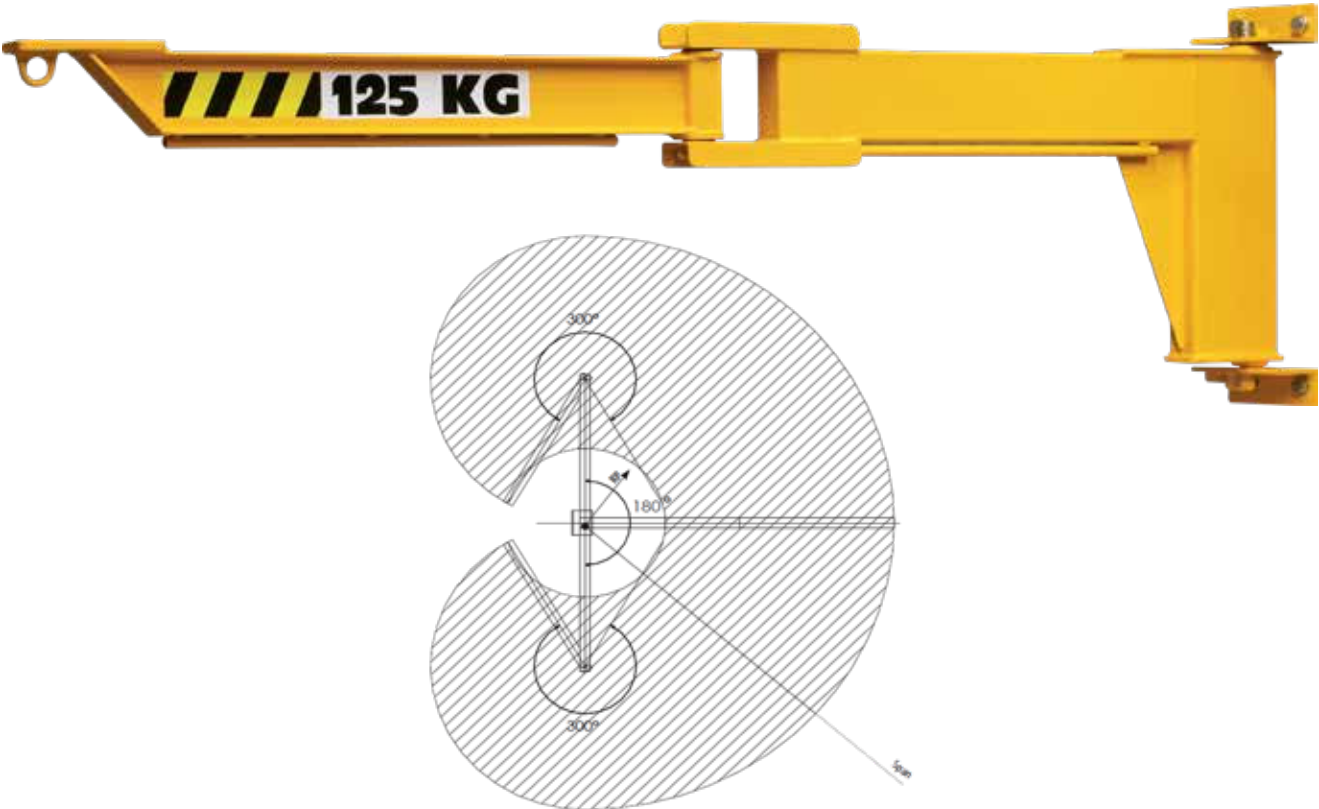
WALL MOUNTED | UNDERBRACED | ARTICULATED



The Underbraced Column Mounted Articulated Jib Crane is appropriate for indoor or outdoor use. The PMA being underbraced allows for more headroom.

The first arm can rotate up to 180° and the second arm up to 300°. The structure of this jib crane is suitable for the optional installation of a manual or electric hoist. This model is restricted to manual rotations only.

The PMI Crane comes with standard mounting brackets.



LOAD (KG)	JIB LENGTH (M)							
	2	2.5	3	3.5	4	4.5	5	
125	●	●	●	●	●	●	●	
250	●	●	●	●	●	●	●	

OPTIONAL EXTRAS:

- ▶ Mounting Kit (KITFIX) to ensure the safe mounting of the specific crane.
- ▶ Hoist power supply cable + lockable main switch.
- ▶ Standpipe.
- ▶ Rotation slowing device (can be installed without welding or mechanical intervention).
- ▶ Rotation stops to weld onto the assembly.
- ▶ Option of a slowing device on each arm.
- ▶ Single or multiple position rotation lock (arm 1 only).
- ▶ Electric or manual hoist.
- ▶ Hot dip galvanised for outdoor use.

JIB CRANES

MOBILE CONCRETE BASE



A mobile concrete base for jib cranes provides a flexible and stable solution for mounting jib cranes in various locations without the need for permanent installation.

These bases are designed with reinforced concrete and equipped with features like forklift pockets or wheels, allowing easy transportation and repositioning within a workspace.

This type of base is particularly useful in environments where crane mobility and adaptability are crucial, such as construction sites, warehouses, and manufacturing facilities.

By using a mobile concrete base, companies can optimize their space and crane utility while maintaining the safety and stability required for lifting operations.



LOAD (KG)	JIB LENGTH (M)									
	2	2.5	3	3.5	4	4.5	5	5.5	6	
50	●	●	●	●	●	●	●	●	●	●
80	●	●	●	●	●	●	●	●	●	●
150	●	●	●	●	●	●	●	●	●	●
250	●	●	●	●	●	●	●	●	●	●
500	●	●	●	●	●	●	●	●	●	●