

TECHNICAL DATA SHEET

FORK SPREADER (TARP) - 2500KG


STS-1.00



DESCRIPTION

The tarp spreader is used to safely cover high truck loads with a tarpaulin by forklifts. This slip-on attachment is easily fitted onto the fork tines and is secured by a safety chain. The prong is secured by a locking pin and can be easily removed to allow convenient storage or replacement if damaged.

FEATURES

 Note: we recommend a minimum forklift size of 2500kg lift capacity.

SPECIFICATIONS

WORKING LOAD LIMIT	LOAD CENTRE	FORK POCKET SIZE	POCKET CENTRES	UNIT WEIGHT
200kg	600mm	160 x 65mm	745mm	150kg

CERTIFICATION

Manufactured strictly in accordance with the following standards:

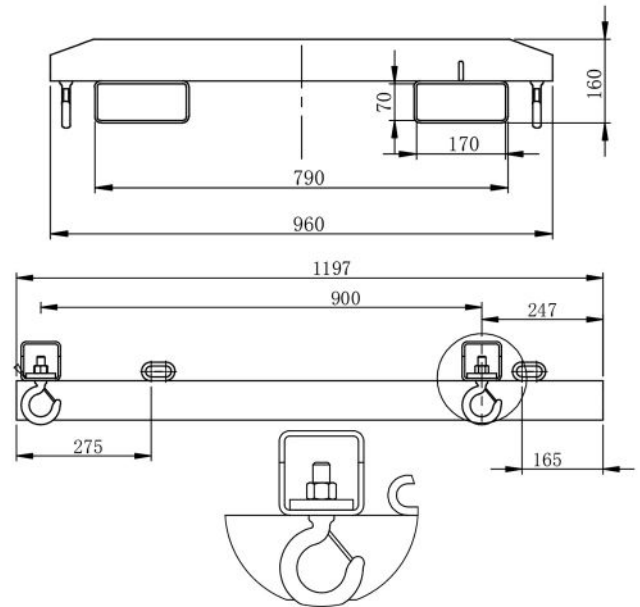
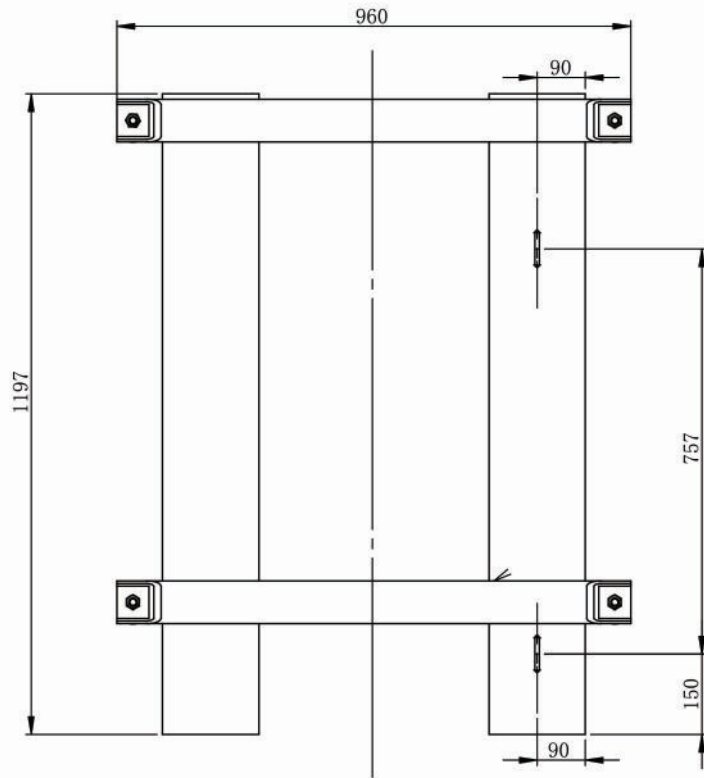
STANDARD	DESCRIPTION
AS 3990-1993	Structural Steel for mechanical engineering
AS 2359.1-1995	Powered Industrial Trucks
AS 1554	Structural Steel Welding



TECHNICAL DATA SHEET

FORK SPREADER (TARP) - 2500KG

STS-1.00



SPECIFICATIONS

WORKING LOAD LIMIT	LOAD CENTRE	FORK POCKET SIZE	POCKET CENTRES	HOOK CENTRES	UNIT WEIGHT
2000kg	700mm	165 x 65mm	640mm	900mm	75kg
VERTICAL CENTRE OF GRAVITY			HORIZONTAL CENTRE OF GRAVITY		
-10mm			632mm		

CERTIFICATION

Manufactured strictly in accordance with the following standards:

STANDARD	DESCRIPTION
AS 3990-1993	Structural Steel for mechanical engineering
AS 2359.1-1995	Powered Industrial Trucks
AS 1554	Structural Steel Welding