



# STRATALIGN

INDUSTRIAL LIFTING & HOISTING SOLUTIONS

## Tippo Heavy-Duty Bins STWBT

The Tippo heavy-duty tip-up bins have been manufactured from 3mm plate and designed with fully reinforced edges. These bins are ideally suited to handle heavy waste including metal, timber and building site rubble.

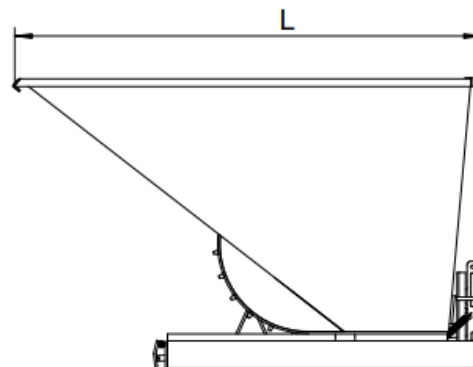
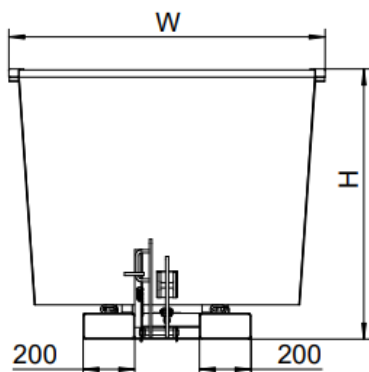
The release mechanism is activated by bumping the release button located on the front of the base. The custom-built shock absorber prevents impact forces being transmitted to the forklift during emptying. All the Tippo heavy duty tip-up bins have a Working Load Limit of 2,500kg and range in sizes from 900 to 2000 litre capacities.



### Specs

- > Working Load Limit 2500kg
- > Pocket size 190 x 90mm
- > Pocket centres 450mm
- > Galvanize finish
- > Manufactured strictly in accordance with AS 2359.1

Product Code	Capacity (litre)	Unit Weight (kg)	Size L x W x H (mm)	Pocket size (mm)
STWB-T900	900	175	1495 x 4540 x 870	190 x 90
STWB-T1100	1100	200	1665 x 1220 x 1040	190 x 90
STWB-T1340	1340	235	2120 x 1065 x 1245	190 x 90
STWB-T2000	2000	270	2120 x 1320 x 1245	190 x 90



6 Harbour Ridge Drive, Wiri PO Box 97410, Manukau City 2241  
Tel: 09 263 7725 Fax: 09 262 0970 Email: [sales@stratalign.co.nz](mailto:sales@stratalign.co.nz)

OVERHEAD GANTRY CRANES, JIB CRANES, PORTABLE GANTRY CRANES, VACUUM LIFTERS, HOISTS, WINCHES, MAGNETIC CLAMPS, FORKLIFT & CRANE ATTACHMENTS