



# STRATALIGN

INDUSTRIAL LIFTING & HOISTING SOLUTIONS

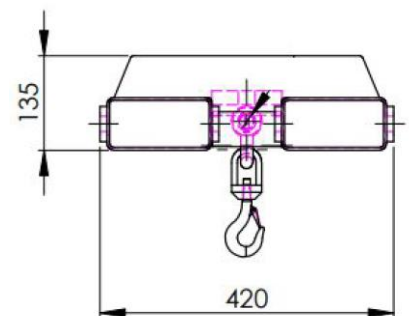
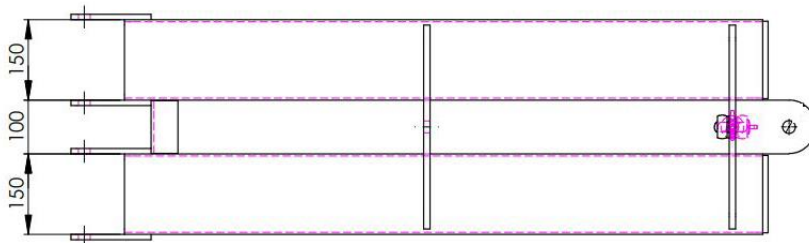
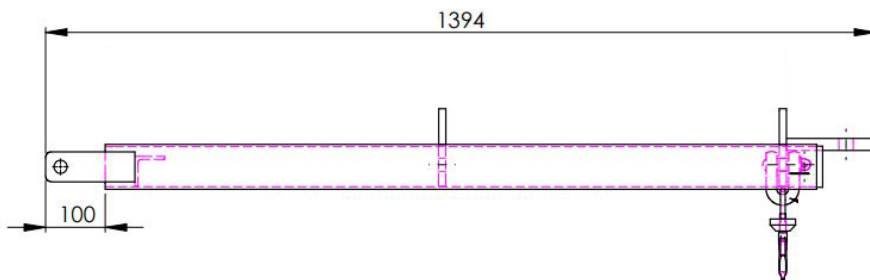
## Tow Ball Jib Attachment

FJA-19-212

This slip-on tow ball jib is designed for versatility, has dual purpose, and is an easy to use forklift attachment that allows both towing and general lifting functionality.

### Specs

- >2,000kg capacity lifting jib
- >500kg towing capacity
- >2 hook positions 585mm apart
- >50mm Tow ball supplied
- >Supplied with a 2,000kg safety swivel hook and shackle
- >Fork Pocket Size: 140mm x 70mm
- >Slip-on attachment and fork locking pins allow quick connections to forklift
- >Light weight and simple to use
- >Zinc coated finish.



6 Harbour Ridge Drive, Wiri PO Box 97410, Manukau City 2241

Tel: 09 263 7725 Fax: 09 262 0970 Email: [sales@stratalign.co.nz](mailto:sales@stratalign.co.nz)

OVERHEAD GANTRY CRANES, JIB CRANES, PORTABLE GANTRY CRANES, VACUUM LIFTERS, HOISTS, WINCHES, MAGNETIC CLAMPS, FORKLIFT & CRANE ATTACHMENTS