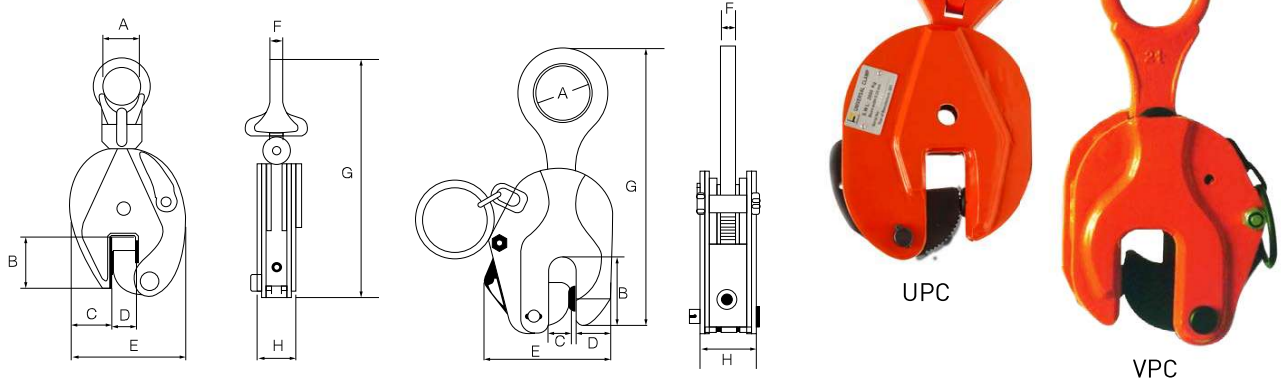


UNIVERSAL & VERTICAL PLATE CLAMPS

500KG - 5,000KG

The universal plate clamps are used for lifting, turning and transporting flat metal material in any direction. These clamps can also be used for lifting and turning steel or metal plates and beams.



Model	UPC-0-50	UPC-1-00	UPC-2-00	UPC-3-00	UPC-5-00	VPC-1-00	VPC-2-00	VPC-3-00	VPC-5-00	
Capacity (t)	0.5	1	2	3	5	1	2	3	5	
Test Load (kN)	10	200	40	60	100	20	40	60	100	
Max. jaw opening (mm)	15	20	25	30	50	22	30	35	50	
Dimensions (mm)	A	ø30	ø48	ø68	ø74	ø80	ø48	ø58	ø62	ø80
	B	43	63	78	85	100	62	76	75	96
	C	34	50	61	57	66	35	45	48	69
	D	0-17	0-22	0-27	0-32	0-52	0-25	0-34	0-39	0-54
	E min	106	145	174	207	240	114	154	170	213
	F	10	12	16	20	24	14	15	19	23
	G max	216	292	369	428	481	279	314	378	466
H	50	66	76	102	110	66	83	93	106	
Net Weight (kg)	2	4.5	7.3	15	21.6	3.8	6.3	9.6	19	

HORIZONTAL PLATE CLAMP PAIRS

750KG - 4,000KG

Model	HPC-0-75	HPC-1-50	HPC-2-50	HPC-4-00	
Capacity (t)	0.75	1.5	2.5	4	
Test Load (kN)	15	30	50	80	
Max. jaw opening (mm)	50	50	60	100	
Dimensions (mm)	A	ø30	ø36	ø40	ø40
	D	0-52	0-52	0-62	0-103
	E	106	145	174	207
	F	10	12	16	20
	G max	216	292	369	428
H	50	66	76	102	
Net Weight (kg)	4.1	7.5	13.8	30.5	

