

## ROLL PRONGS

### SLIP-ON

These prong attachments are designed to easily move fabric, carpet, cable and coil products on site. We recommend using large forklifts as the length of the prong extends the load centre a lot. These attachments fit on most standard fork tines requiring only the connection of the safety chain (included) to prevent unintentional disengagement. Prongs are manufactured from high tensile steel. Includes instruction manual and manufacture certificate.

#### Specifications;

- Safe Working Load – refer chart below
- Lost load 1040mm
- Pocket Size 190 x 65mm
- Unit weight – refer chart below
- Galvanised finish
- Refer diagram for all other specifications
- Manufactured strictly in accordance with AS 2359.1

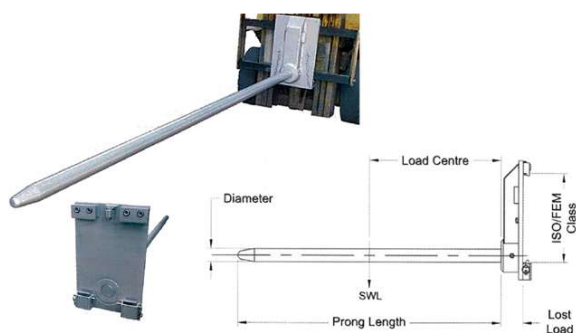


Product Code	Overall length (mm)	Diameter (mm)	SWL at Centre of Prong (kg)	Unit Weight (kg)	Horizontal C of G (mm)	Load Centre (mm)
FJA-19-060	2800	60	340	141	1395	1400
FJA-19-080	2800	80	850	194	1670	1400

## ROLL PRONGS

### CARRIAGE MOUNTED

The carriage mounted roll prongs are suitable for carpet, vinyl, fabric etc. Units are available for Class II, III and IV forklift carriages, along with pin mounted. All prong models are fitting with "quick release" mounting locks providing a safe and easy connection to the forklift carriage, saving time and eliminating the need for any tools. Prongs are made from high tensile steel. Enamel paint finish. Includes instruction manual & manufacturer certificate to AS 2359.1



Product Code	Mounting Class	Prong Diameter (mm)	Prong Length (mm)	Safe Working Load / Load Centres	Unit Weight (kg)
RPC-2-40-120	2	40	1200	200kg @ 600mm	63
RPC-2-50-180	2	50	1800	250kg @ 900mm	79
RPC-2-60-280	2	60	2800	340kg @ 1400mm	113
RPC-2-70-280	2	70	2800	510kg @ 1400mm	135
RPC-2-80-280	2	80	2800	850kg @ 1400mm	166
RPC-3-70-280	3	70	2800	510kg @ 1400mm	190
RPC-3-80-280	3	80	2800	850kg @ 1400mm	220
RPC-3-90-280	3	90	2800	1285kg @ 1400mm	248
RPC-3-100-280	3	100	2800	1700kg @ 1400mm	282
RPC-4-125-120	4	125	1200	6500kg @ 600mm	280
RPC-4-125-280	4	125	2800	2785kg @ 1400mm	440
RPC-4-150-120	4	150	1200	10,000kg @ 600mm	360
RPC-4-150-280	4	150	2800	4285kg @ 1400mm	565
RPC-PM-200-120	Pin Mount	200	1200	13,000kg @ 600mm	1400