

TECHNICAL DATA SHEET

TIP-UP BINS (HEAVY DUTY) - 2.60 CU/M

HDTB-2.60



DESCRIPTION

The heavy duty tip-up bins have been manufactured from 3mm plate and designed with fully reinforced edges. These bins are ideally suited to handle heavy waste including metal, timber and building site rubble.

The release mechanism is activated by the forklift operator pulling the pull cord from the drivers seat. The custom built shock absorber prevents impact forces being transmitted to the forklift during emptying. All heavy duty tip-up bins have a Working Load Limit of 1,000kg and range in sizes from 0.7 to 2.6 cubic metre capacities.

Available in either enamel painted over primed steel or H.D galvanised finished (NB: HDTB-2.00 and HDTB-2.60 - Enamel Paint Only).

FEATURES

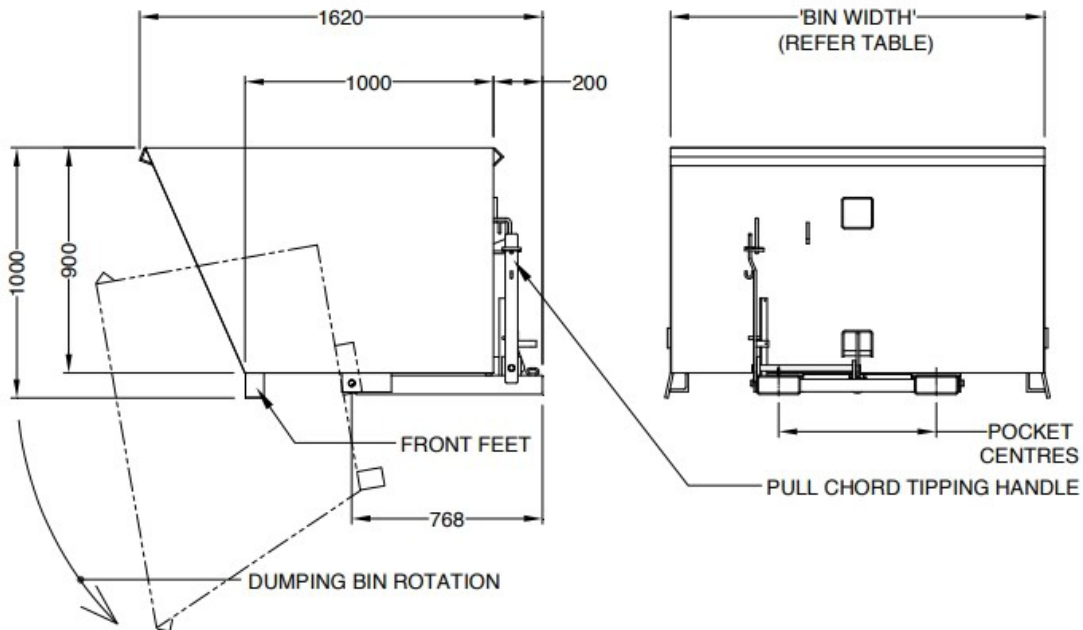
- ☒ Pocket size: 165 x 65mm
- ☒ Pocket centres: 635mm
- ☒ Working Load Limit: 1,000kg
- ☒ Horizontal Centre of Gravity: 800mm
- ☒ Vertical Centre of Gravity: 400mm
- ☒ Optional: Wheels and crane lugs, Drain Valve and Strainer
- ☒ Hydraulic option available



TECHNICAL DATA SHEET

TIP-UP BINS (HEAVY DUTY) - 2.60 CU/M

HDTB-2.60



SPECIFICATIONS

PRODUCT CODE	CAPACITY (CU/M)	BIN WIDTH (MM)	UNIT WEIGHT (KG)
HDTB-0.70	0.70	600	190
HDTB-1.00	1.00	900	210
HDTB-1.35	1.35	1200	225
HDTB-1.70	1.70	1500	255
HDTB-2.00	2.00	1800	280
HDTB-2.60	2.60	2300	360

CERTIFICATION

Manufactured strictly in accordance with the following standards:

STANDARD	DESCRIPTION
AS 3990	Structural Steel for Mechanical Engineering
AS 2359.1	Powered Industrial Trucks
AS 2359.2	Powered Industrial Trucks Operations
AS 1554.1	Structural Steel Welding