

## TECHNICAL DATA SHEET

FORK SPREADER - 3000KG

FJA-19-628



### DESCRIPTION

Fork spreaders have been designed to safely lift extra wide or flexible loads, helping to prevent goods such as roof sheets, timber or plasterboard becoming damaged.

The fork spreader evenly distributes the load over the length of the attachment while moving / transporting. This slip on attachment is simple to use and is secured to the lift truck by a safety chain. Often used to stabilise wide loads of unstable products such as gyprock, steel bar or pipe that is manufactured and supplied in long random lengths.

The fork mounted spreader beam mounts over the forks of any standard forklift truck in seconds, adding stability to the load by means of a rigid beam carrying two extra forks. When elevated, the load acts as a single unit, eliminating any sag that could cause it to fall.

### FEATURES

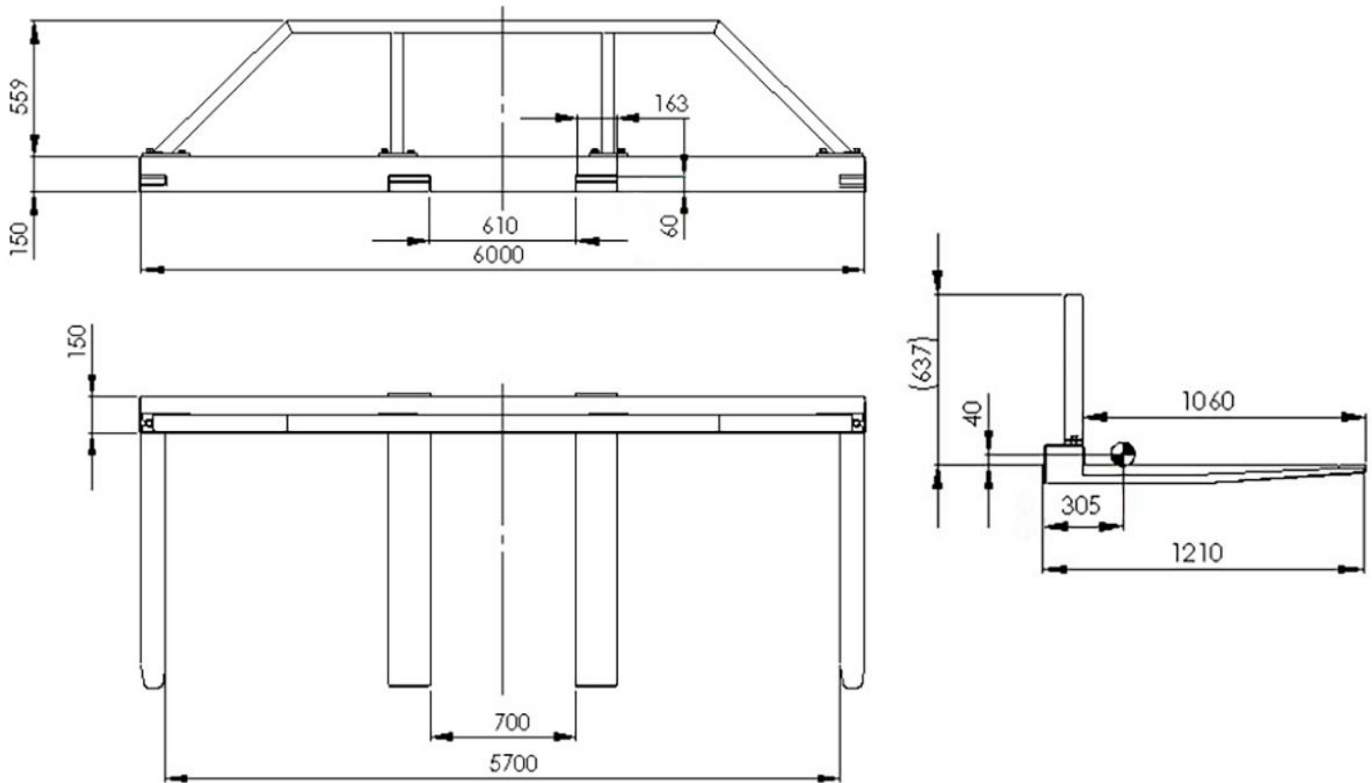
- ☒ Includes certification plates, Manual and Certificate.
- ☒ A safety chain is supplied to secure the Spreader to the fork carriage.
- ☒ Manufactured strictly in accordance with AS 2359.1



# TECHNICAL DATA SHEET

FORK SPREADER - 3000KG

FJA-19-628



## SPECIFICATIONS

WORKING LOAD LIMIT	LOAD CENTRE	FORK POCKET SIZE	POCKET CENTRES	FORK LENGTH	UNIT WEIGHT
3000kg	600mm	160 x 60mm	770mm	1210mm	260kg
WIDTH	VERTICAL CENTRE OF GRAVITY	HORIZONTAL CENTRE OF GRAVITY			
6000mm	60mm	305mm			

## CERTIFICATION

Manufactured strictly in accordance with the following standards:

STANDARD	DESCRIPTION
AS 3990-1993	Structural Steel for mechanical engineering
AS 2359.1-1995	Powered Industrial Trucks
AS 1554	Structural Steel Welding