



STRATALIGN

INDUSTRIAL LIFTING & HOISTING SOLUTIONS

Short Jib 4750kg FJA-19-502

This 4750kgs forklift boom jib attachment has a 1.96m reach when fully extended and an overall length of 1.30m when retracted. This will make it easy when maneuvering loads in confined spaces awkward spaces. The jib attachment is secured to the forklift with the safety chain. This forklift boom jib attachment comes galvanized finish and also includes a manual/certification, safety chain and swivel hook.

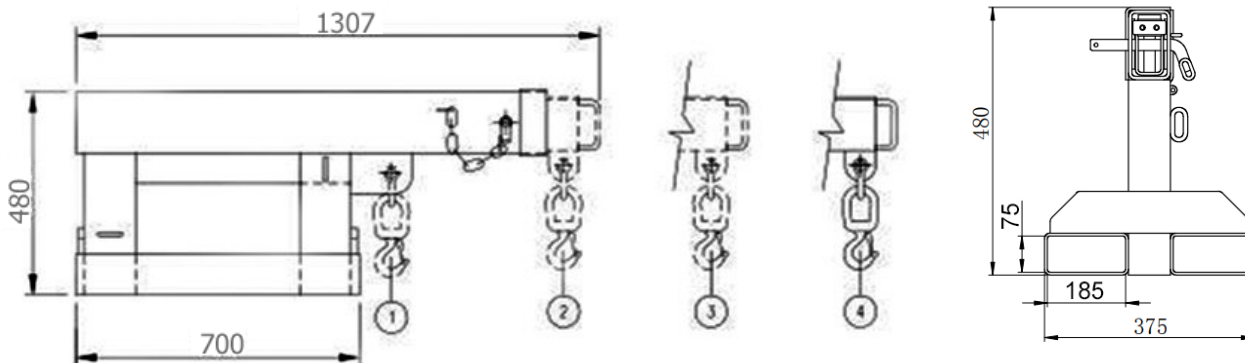
Manufactured strictly in accordance with AS 2359.1

Specs

>Working Load Limit (WLL)	4750kg
>Pocket Size	185 x 75mm
>Pocket Centres	275mm
>Load Centre	780mm
>Horizontal Centre of Gravity	700mm
>Vertical Centre of Gravity	165mm
>Unit Weight	130kg



Detail	Safe Working Load (SWL) Per Position			
Position	1	2	3	4
Extension (mm)	780	1200	1580	1960
SWL (kg)	4750	2400	1800	1500



6 Harbour Ridge Drive, Wiri PO Box 97410, Manukau City 2241

Tel: 09 263 7725 Fax: 09 262 0970 Email: sales@stratalign.co.nz

OVERHEAD GANTRY CRANES, JIB CRANES, PORTABLE GANTRY CRANES, VACUUM LIFTERS, HOISTS, WINCHES, MAGNETIC CLAMPS, FORKLIFT & CRANE ATTACHMENTS