

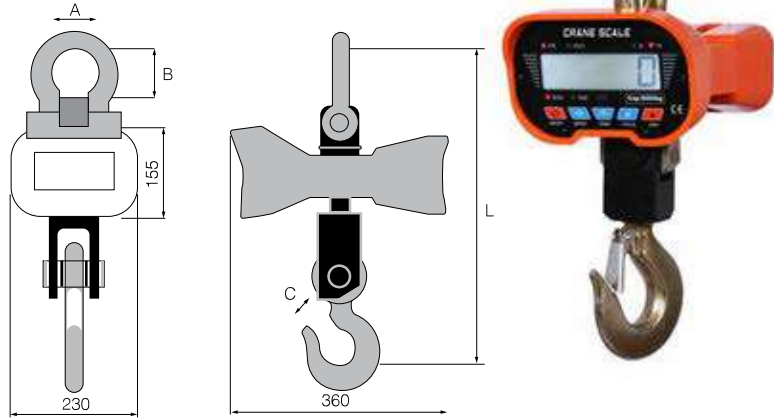
CRANE SCALES

50KG - 10,000KG

- Aluminium die-casting case.
- Rotatable hook, stainless steel shackle (CS-OCSM)
- Standard bow shackle, standard eye hook (CS-OCSA)
- High capacity rechargeable battery.
- Infrared remote controller.

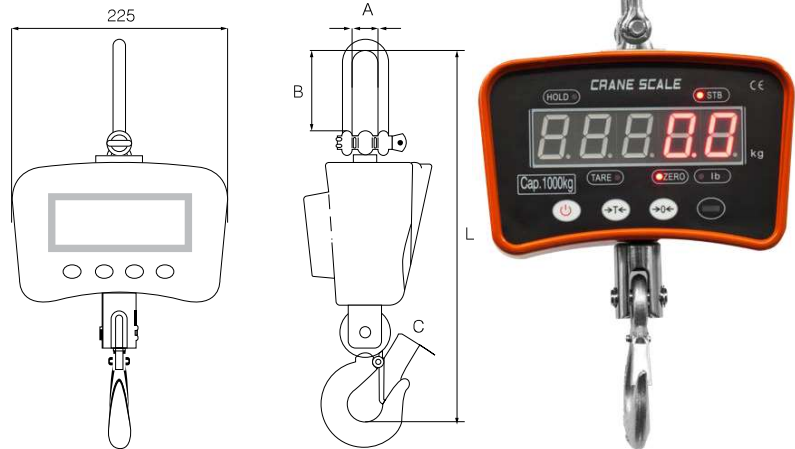
Functions:

- Zero
- Tare in/out
- Hold
- Low voltage alarm
- Battery supervision
- Overload alarm/record
- Digital calibration
- 3-point linearity correction
- kg/lb switchable
- Gravity acceleration value set



CS-OCSM

Accuracy Class	OIML III
Tare Range	100% F.S.
Zero Range	4% F.S.
Safe Overload	120% F.S.
Ultimate Overload	400% F.S.
Overload Alarm	100% F.S. +9e
Battery	6V5 Ah (CS-OCSM)
	6V10 Ah (CS-OCSA)
Battery Life	>80h (CS-OCSM)
	>100h (CS-OCSA)
Adaptor	DC9V
Temperature Range	-10°C to +40°C
Remote Distance	≥10m



CS-OCSA

Model	Max. Cap (kg)	Min. Cap (kg)	Division (kg)	Resolution (kg)	A (mm)	B (mm)	C (mm)	L (mm)
CS-OCSM	50	0.4	0.02	2500	20	80	24	350
	100	1	0.05	2000	20	80	24	350
	200	2	0.1	2000	20	80	24	350
	300	2	0.1	3000	20	80	24	350
	500	4	0.2	2500	25	85	36	370
	1000	10	0.5	3000	25	85	36	370
CS-OCSA	1000	10	0.5	2000	58	83	30	420
	2000	20	1	2000	58	83	30	420
	3000	20	1	3000	73	107	33	480
	5000	40	2	2500	92	135	45	585
	10000	100	5	2000	94	145	60	770