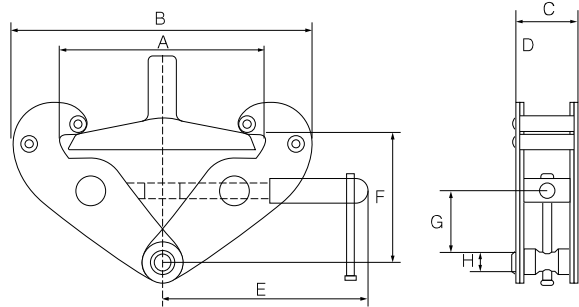


BEAM CLAMPS

1,000KG - 10,000KG

- Designed to suit a range of beam sizes and easily repositioned.
- Jaws clamp over lower beam flanges.
- Enables a simple, faster, portable and secure means of attaching a lifting point on existing beams.

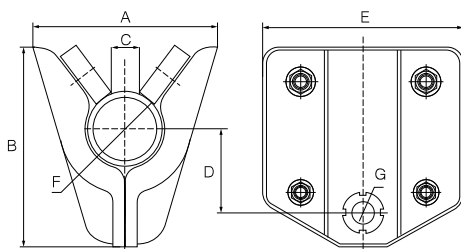


Model		BC-1-00	BC-2-00	BC-3-00	BC-5-00	BC-10-00
Capacity (t)		1	2	3	5	10
Test Load (kN)		12.5	25	37.5	63	125
1-Beam width (mm)		75-230	75-230	80-345	80-345	90-350
Dimensions (mm)	A max	240	240	355	355	360
	A min	192	192	243	243	272
	B max	367	367	520	520	532
	C	94	102	132	142	180
	D	4	6	8	10	12
	E	194	194	241	241	284
	F min	102	102	133	133	155
	F max	154	154	223	223	234
	G	22	22	38	35	47
	H	20	20	22	28	38
Net Weight (kg)		4	4.8	9.8	11.6	17

PIPE TROLLEY

300KG

- Designed for pipe beams.
- Compact, light weight and easy gliding.
- Painted finish.
- Capacity: 300kg
- To suit 60mm pipe diameter.
- Net Weight 2.5kg



Capacity (kg)	Test Load (kg)	Min curve radius (m)	Dimensions (mm)							Weight (kg)
			A	B	C	D	E	F	G	
300kg	3.675	0.8	147.5	160	22	68	160	60	17	2.5