

PORTABLE CRANES ALUMINIUM



ALUMINIUM GANTRY CRANE

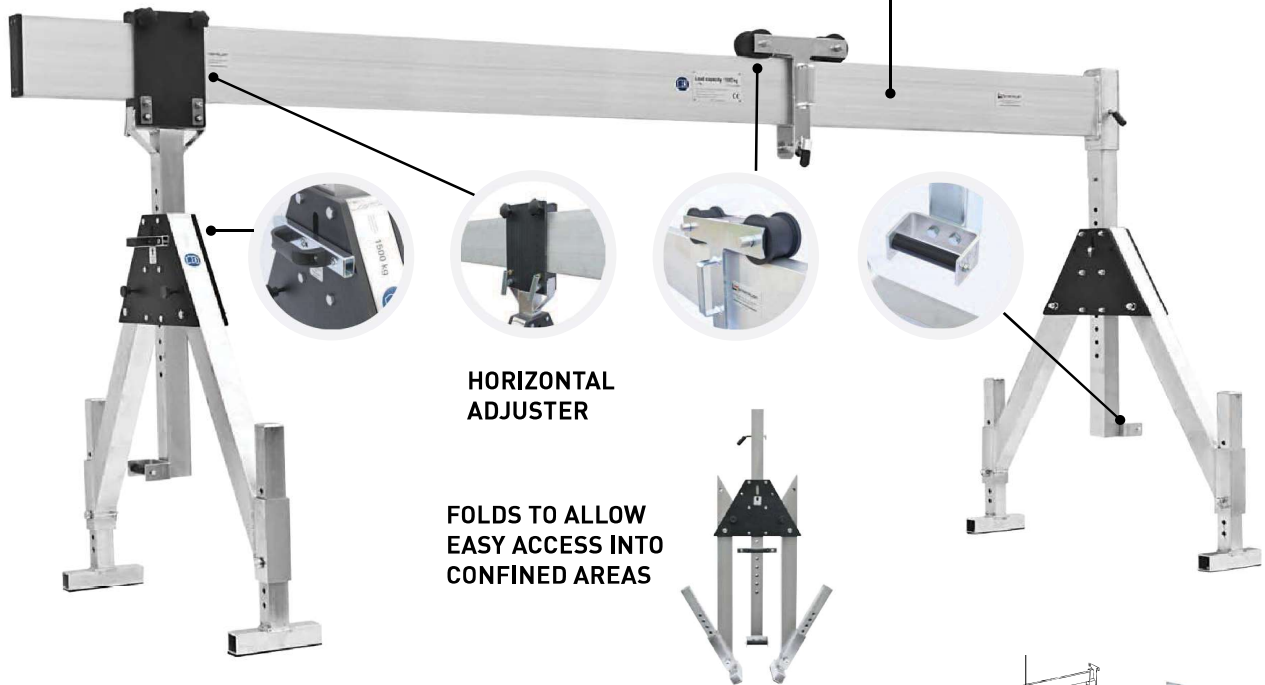
FOLDABLE 1500KG CAPACITY

A unique gantry system that can be readily moved into difficult confined spaces and assembled in just 5 minutes.

- Maintenance & Servicing
- Machinery Installation
- Pumps & Motors
- Dairy industry
- Factory Applications

BEAMS

Beam lengths available in 1.00m increments from 2.23m through to 8.23m. The lifting capacity reduces to 1000kgs when the beam length is greater than 5.23m

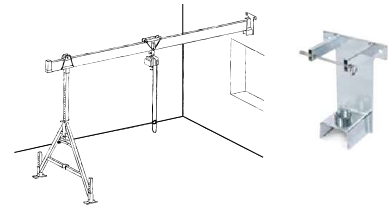


HORIZONTAL ADJUSTER

FOLDS TO ALLOW EASY ACCESS INTO CONFINED AREAS

WALL BRACKET

The wall bracket makes it possible to attach one side of the beam to the wall. The cranes range of application is thus extended especially via doors or windows.



AVAILABLE SIZES OF END FRAME

AGC 100 Width Of Lateral Stand 1.20m Lift Height 1.18m To 2.10m

AGC 200 Width Of Lateral Stand 1.71m Lift Height 1.68m To 3.00m

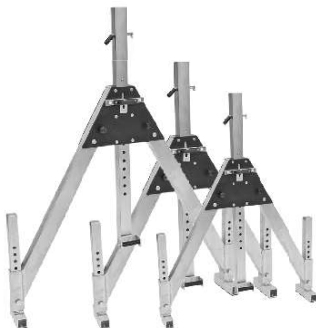
AGC 300 Width Of Lateral Stand 2.29m Lift Height 2.23m To 4.00m

TRANSPORT CARRIAGE

This unit is designed to transport the entire collapsible gantry system around an industrial site with the least amount of effort. Capable of storing the chain block on the equipment shelf.

OPTIONAL WHEELS

Spring loaded gantry wheel kit for easy resiting of the Crane.



ALUMINIUM GANTRY CRANE

MOVEABLE 1000KG CAPACITY

These units are designed to manoeuvre suspended loads around the workplace safely. Adjustable in both height and width, these units make a variety of lifting tasks achievable. Beam lengths available in 1.00m increments from 2.23m through to 8.23m. The lifting capacity reduces to 750kgs when the beam length is greater than 5.23m.

- Maintenance & Servicing
- Machinery Installation
- Pumps & Motors
- Dairy industry
- Factory Applications

